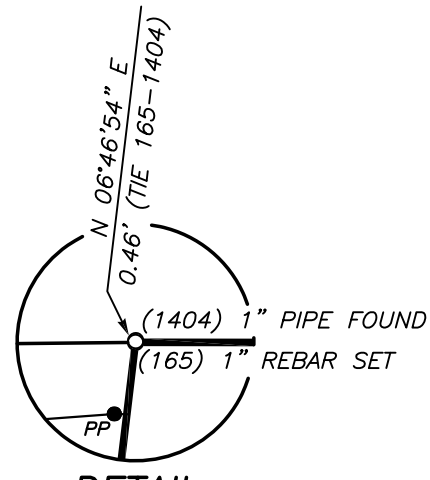


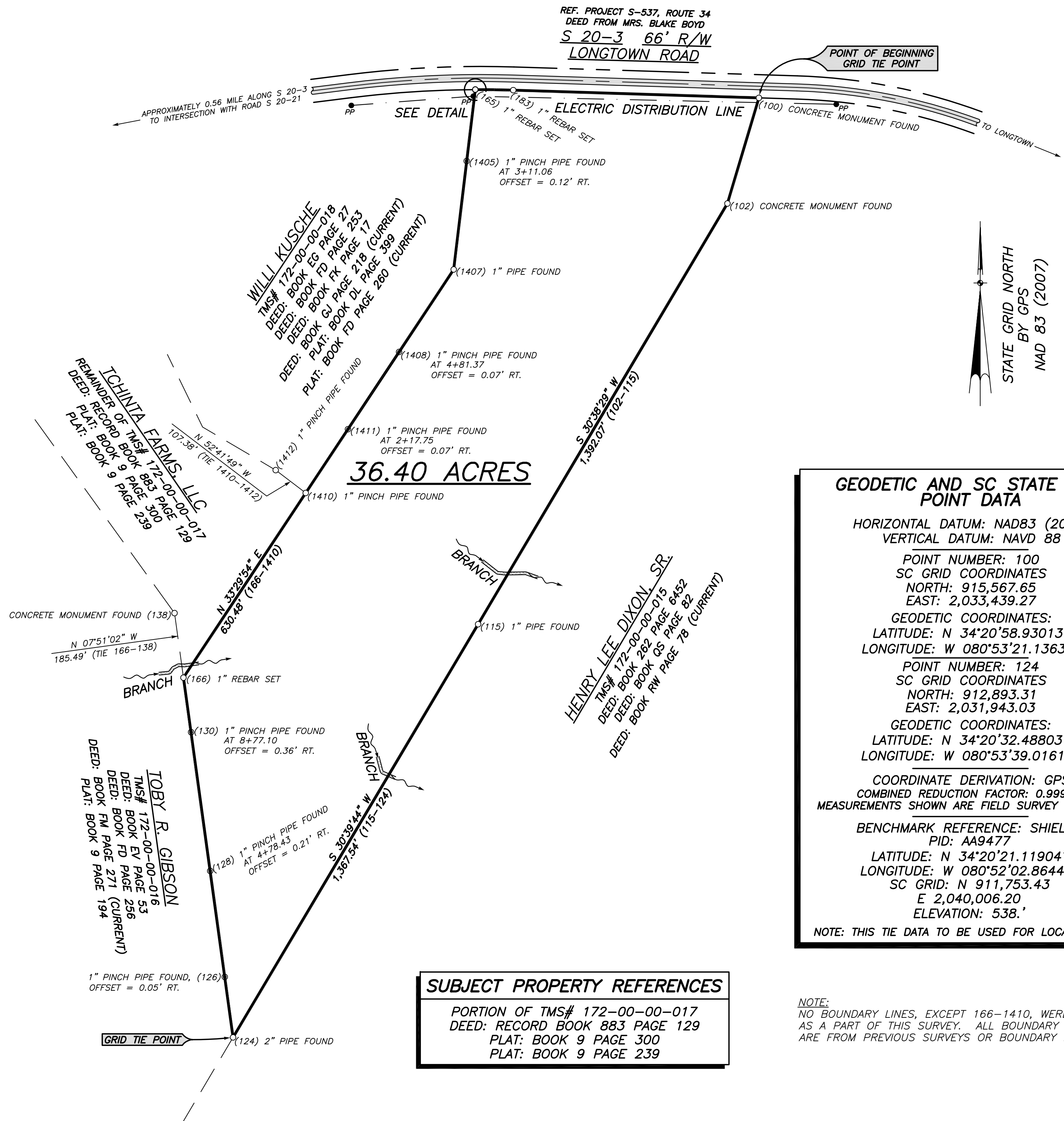
LOCATION SKETCH
SCALE: 1 INCH = 1 MILE



DETAIL
SCALE: 1 INCH = 50 FEET



36.40 ACRES		
PT-PT	BEARING	DISTANCE
100-102	S 16°35'11" W	313.78'
102-115	S 30°38'29" W	1,392.07'
115-124	S 30°39'44" W	1,367.54'
124-166	N 07°51'05" W	1,033.88'
166-1410	N 33°29'54" E	630.48'
1410-1407	N 33°29'54" E	763.05'
1407-165	N 06°50'20" E	515.57'
165-183	SEE CURVE DATA	
183-100	S 88°12'03" E	699.49'



GEODETC AND SC STATE GRID POINT DATA

HORIZONTAL DATUM: NAD83 (2007)
VERTICAL DATUM: NAVD 88

POINT NUMBER: 100
SC GRID COORDINATES
NORTH: 915,567.65
EAST: 2,033,439.27

GEODETC COORDINATES:
LATITUDE: N 34°20'58.93013"
LONGITUDE: W 080°53'21.13635"

POINT NUMBER: 124
SC GRID COORDINATES
NORTH: 912,893.31
EAST: 2,031,943.03

GEODETC COORDINATES:
LATITUDE: N 34°20'32.48803"
LONGITUDE: W 080°53'39.01615"

COORDINATE DERIVATION: GPS
COMBINED REDUCTION FACTOR: 0.999841
MEASUREMENTS SHOWN ARE FIELD SURVEY DISTANCES.

BENCHMARK REFERENCE: SHIELDS
PID: AA9477

LATITUDE: N 34°20'21.11904"
LONGITUDE: W 080°52'02.86444"
SC GRID: N 911,753.43
E 2,040,006.20
ELEVATION: 538.'

NOTE: THIS TIE DATA TO BE USED FOR LOCATION ONLY.

SUBJECT PROPERTY REFERENCES

PORTION OF TMS# 172-00-00-017
DEED: RECORD BOOK 883 PAGE 129
PLAT: BOOK 9 PAGE 300
PLAT: BOOK 9 PAGE 239

NOTE:
NO BOUNDARY LINES, EXCEPT 166-1410, WERE MARKED AS A PART OF THIS SURVEY. ALL BOUNDARY MARKINGS ARE FROM PREVIOUS SURVEYS OR BOUNDARY MAINTENANCE.

CURVE DATA

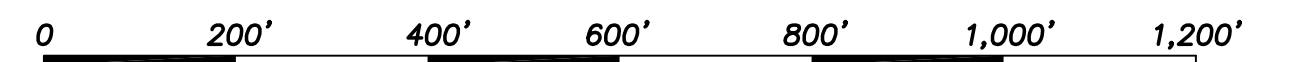
PT-PT	CHORD	DELTA	RADIUS	L-ARC	RADIUS PT.
165-183	S 89°14'50" E 108.07'	2°04'54" RT.	2,974.64'	108.08'	160



DRAWING BY JOE E. FRICK JR.

SURVEYORS SEAL		C.O.A. SEAL		REVISION SCHEDULE			
				NO.	DATE	DESCRIPTION	CHECKED

BOUNDARY SURVEY FOR
TCHINTA FARMS, LLC
LOCATED APPROXIMATELY 4.5 MILES NORTHEAST OF RIDGEWAY
FAIRFIELD COUNTY, SOUTH CAROLINA
FEBRUARY 7, 2008
SCALE: 1 INCH = 200 FEET



SURVEYED BY GLENN ASSOCIATES SURVEYING, INC.
P.O. BOX 12 JENKINSVILLE, S.C. 29065 telephone (803) 345-5297

MARK E. MILLS ; S.C.P.L.S. # 10779

I HEREBY STATE TO THE BEST OF MY KNOWLEDGE, INFORMATION, AND BELIEF THAT THE SURVEY SHOWN HEREON WAS MADE IN ACCORDANCE WITH THE REQUIREMENTS OF THE MINIMUM STANDARDS MANUAL FOR THE PRACTICE OF LAND SURVEYING IN SOUTH CAROLINA AND MEETS OR EXCEEDS THE REQUIREMENTS FOR A CLASS B SURVEY AS SPECIFIED THEREIN.